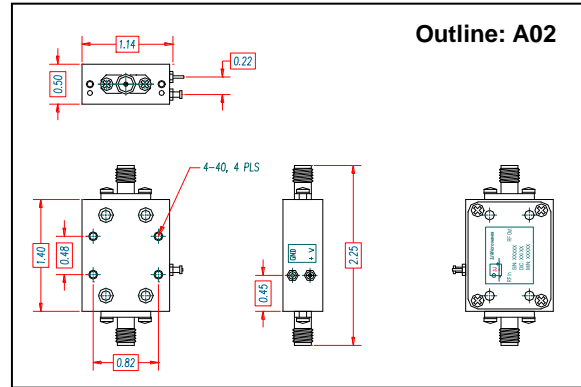
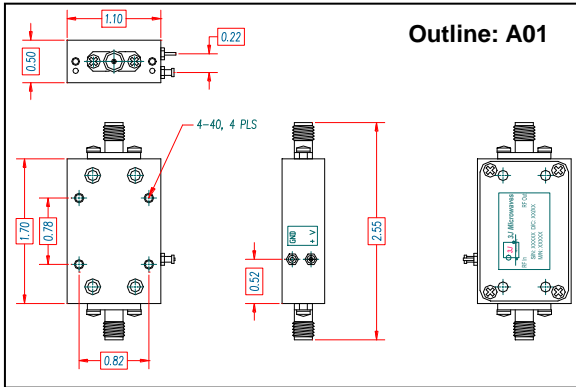


Coax Amplifier Outline A01 and A02:



Waveguide Amplifier Outline B:

