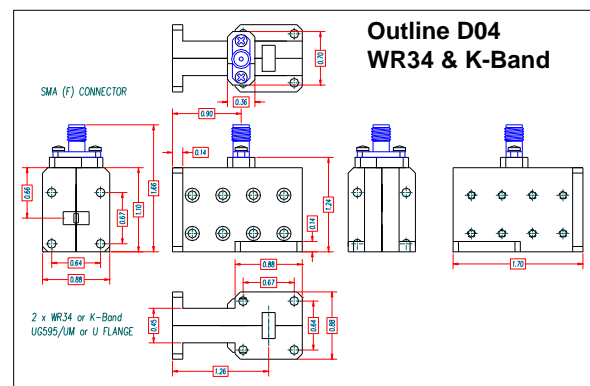
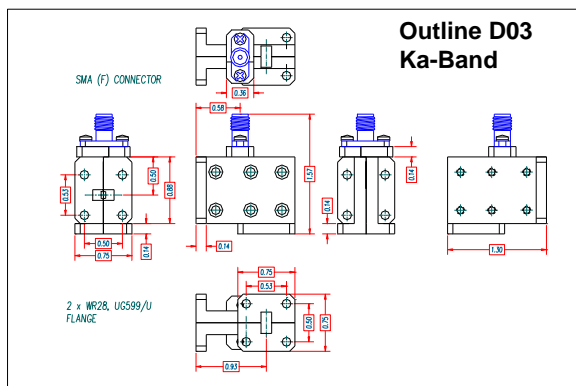
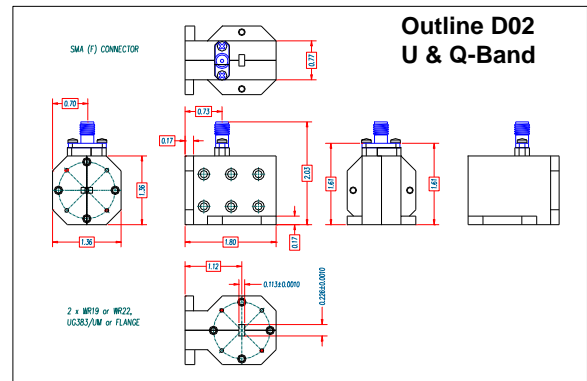
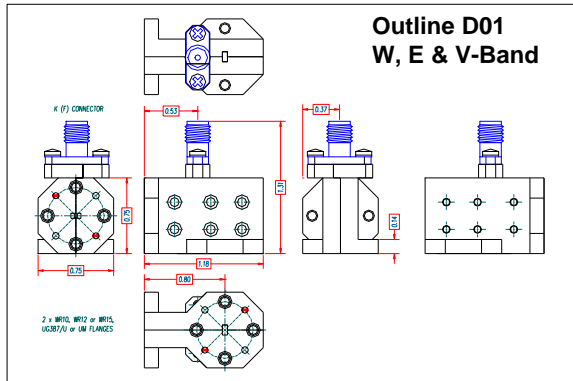
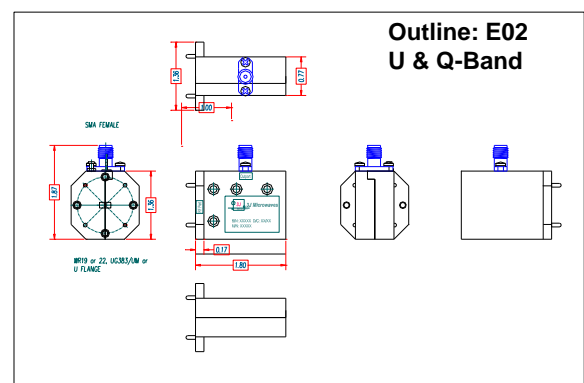
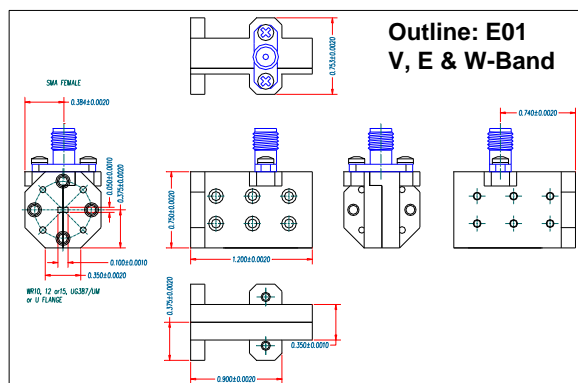
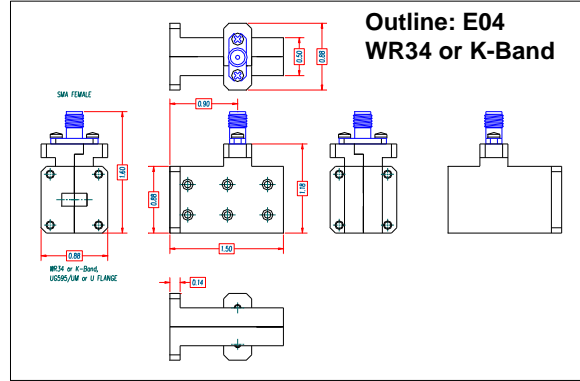
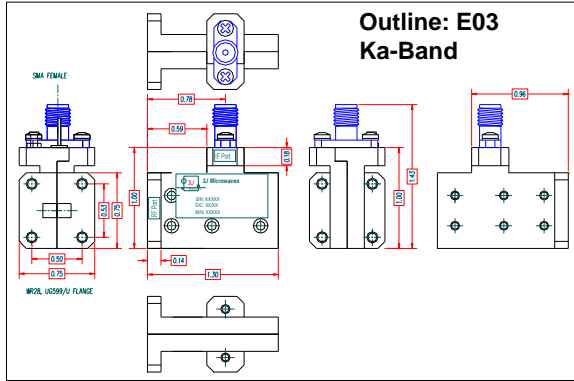


Balanced Mixer Outline D:



Frequency Converter Outline E:





I/Q Mixer Outline F:

