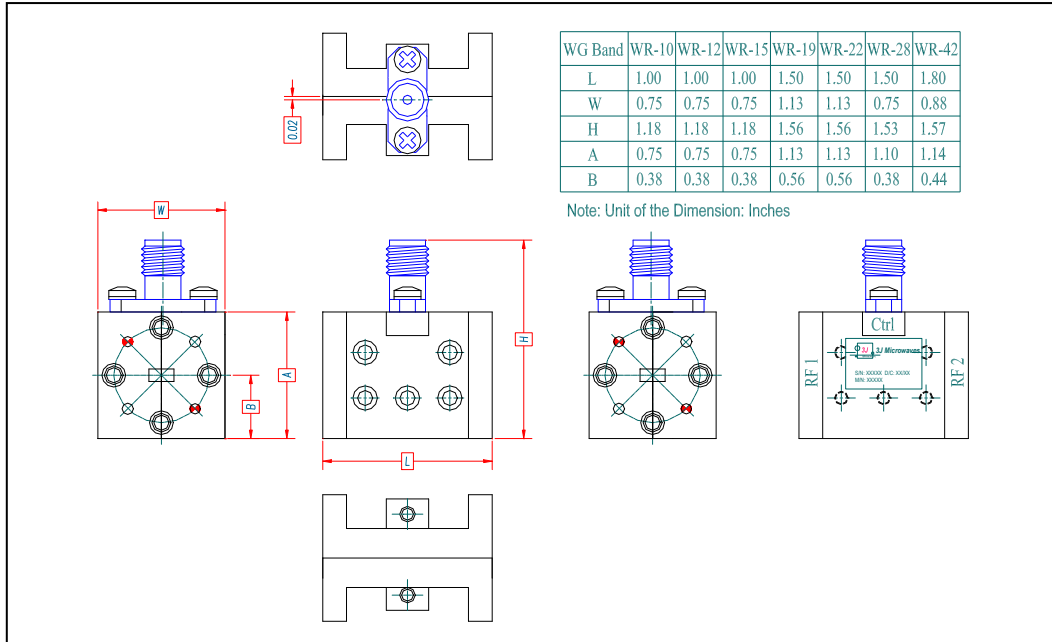
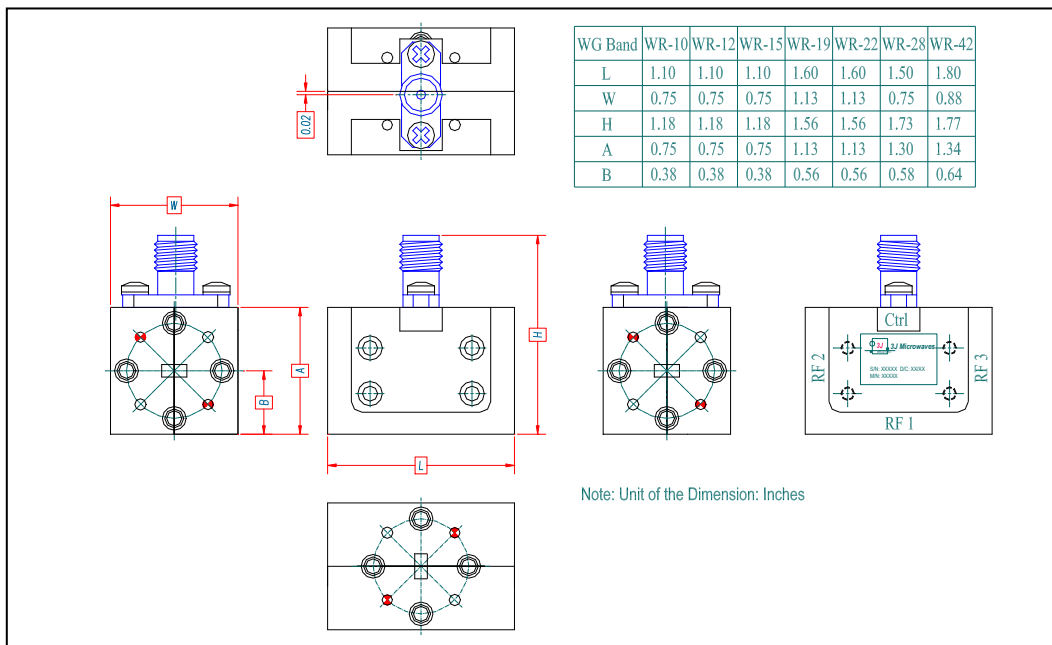


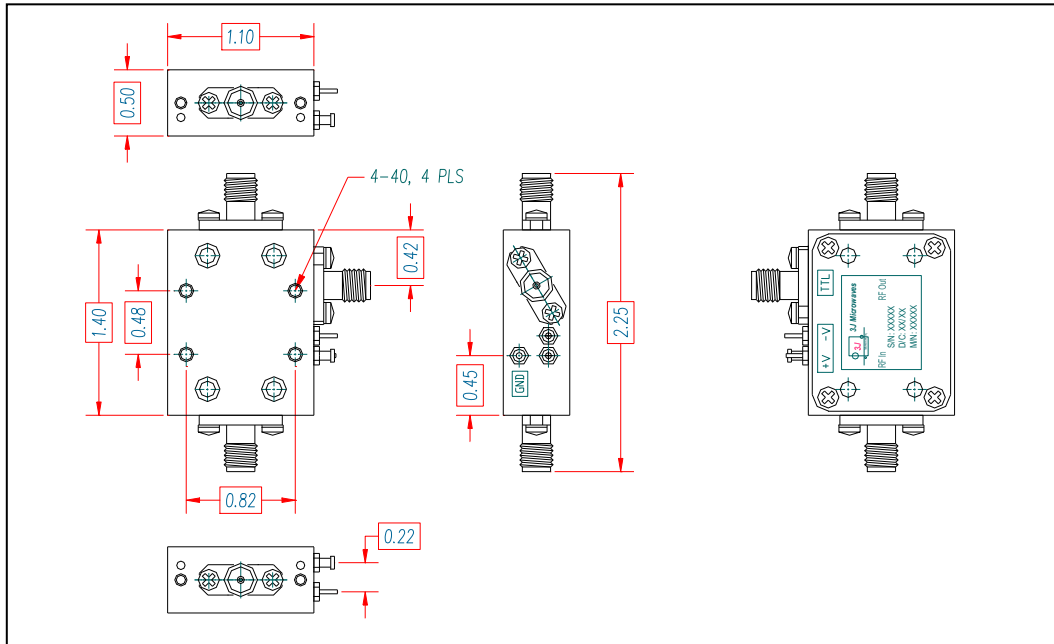
Waveguide PIN Attenuator and SPST Switch Outlines:



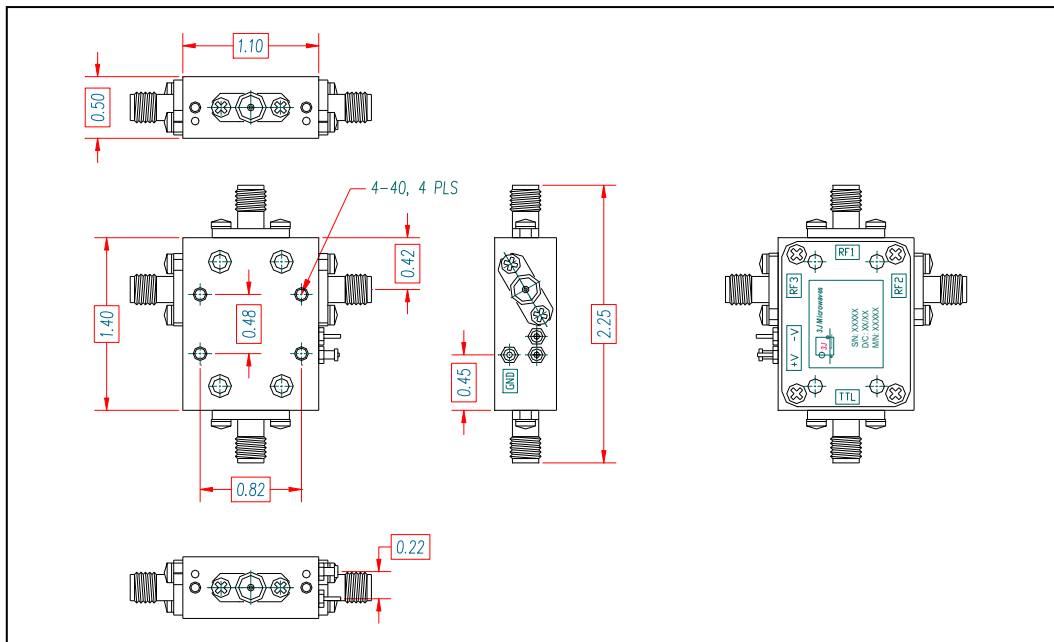
SPDT Waveguide PIN Switch Outlines:



Coax PIN Attenuator and SPST Switch Outlines:



Coax SPDT PIN Switch Outlines:



Coax SP4T PIN Switch Outlines:

